

PEES Power Systems

What is the energy storage cabinet industry chain



Overview

Buckle up—we're dissecting the energy storage industry chain segmentation like a frog in high school biology, but way less messy. Act 1: Upstream (raw materials and equipment). 21 billion in 2025 and is expected to expand at a CAGR of 12. This growth is driven by increasing demand from industrial, commercial, and technology-enabled applications, supported by ongoing innovation. Ever wondered how the energy storage industry chain keeps your lights on during a blackout or powers entire cities?

Whether you're an investor eyeing the next big thing, a tech geek obsessed with clean energy, or just someone who loves a good underdog story (spoiler: batteries are the new rock. That's essentially what solid state energy storage cabinets are achieving in the renewable energy sector. As the global energy storage market balloons to \$33 billion annually, this gritty solution is making waves for its simplicity and effectiveness. tariff policies introduce profound uncertainty into the global economic landscape. Let's explore its landscape through the lens of market demands, technological. From renewable energy integration to industrial backup solutions, energy storage cabinet projects are transforming how businesses and communities manage power.

What is the energy storage cabinet industry chain



Key Energy Storage Cabinet Projects Shaping the Industry

From renewable energy integration to industrial backup solutions, energy storage cabinet projects are transforming how businesses and communities manage power. This article explores major ...

Energy Storage Industry Chain Segmentation: A Deep Dive into the ...

Think of the energy storage industry as a three-act play. Act 1: Upstream (raw materials and equipment). Act 2: Midstream (batteries and brainy systems). Act 3: Downstream (where the ...



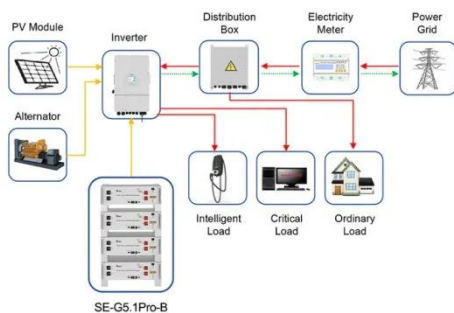
Global Industrial and Commercial Energy Storage Cabinet Market ...

This report will assist Industrial and Commercial Energy Storage Cabinet manufacturers, new entrants, and companies across the industry value chain with information on revenues, production, and ...



Panorama of the New Energy Storage Industry Chain: Opportunities

Why This Industry Is Electrifying Global Markets The new energy storage industry chain has become the backbone of sustainable energy systems worldwide. From grid stabilization to EV charging networks, ...



Application scenarios of energy storage battery products

Energy Storage Industry Report

Discover the rapid growth and key trends in the multi-billion-dollar energy storage industry, projected to reach \$134B by 2031, driven by renewable energy advancements and ...

Energy Storage Cabinets: Key Components, Types, and Future ...

Energy storage cabinets help in balancing energy supply, improving grid stability, and offering backup power during outages. They are crucial in managing energy from renewable sources, ...



ENERGY STORAGE CABINET INDUSTRY CHAIN



Spoiler: it's all about the energy storage industry chain. This article is your backstage pass to understanding how this complex ecosystem works - perfect for renewable energy enthusiasts, tech

...

Energy Storage Cabinet Market Enters a New Era of Scalable Growth

The Energy Storage Cabinet Market refers to the global industry focused on the development, production, and adoption of Energy Storage Cabinet solutions across various end-use ...



Industrial and Commercial Energy Storage Cooperation

Our energy storage cabinet systems provide efficient solutions for commercial and industrial (C& I) applications, including battery storage, outdoor cabinets and solar systems, ensuring reliable ...



Energy Storage Cabinet Market Industry Size, Share & Insights for 2033

Several segments are covered in the report, with a focus on market trends and key growth factors. The Energy Storage Cabinet Market is experiencing robust growth as demand for renewable energy ...



Contact Us

For catalog requests, pricing, or partnerships, please visit:
<https://peregrine-energy.co.za>

