

PEES Power Systems

The most Haixi solar power station



Overview

Golmud CPV Solar Park is a 138 MWp (~110 MWAC) concentrator photovoltaics power station located near Golmud City in Haixi Prefecture, Qinghai Province, China. Read more about Solar capacity ratings. To access additional data, including an interactive map of. This page provides information on LuNeng Haixi - 50MW Tower CSP project, a concentrating solar power (CSP) project, with data organized by background, participants, and power plant configuration. It is located in Qinghai, China. According to GlobalData, who tracks and profiles over 170,000 power plants worldwide, the project is currently active. Post completion of construction, the. W in wind and 50,000kW solar thermal. Project Details Table 1: Phase-level project details for Qinghai Haixi Dachaidan (d Optimization Demonstration Project. The project has been listed among China's second. The project located in the province of Qinghai in China, which has abundant solar radiation, but is a high altitude desert environment and the has severe weather conditions.

The most Haixi solar power station

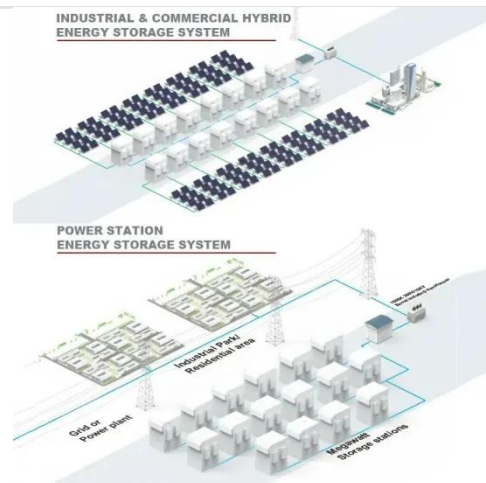


Power plant profile: Haixi Dachaidan Solar PV Park 1, China

Haixi Dachaidan Solar PV Park 1 is a ground-mounted solar project which is spread over an area of 813 hectares. The project generates 950,000MWh electricity thereby offsetting 824,000t of carbon ...

Qinghai Haixi Offgrid Hydrogen Plant solar farm

Qinghai Haixi Offgrid Hydrogen Plant solar farm is an announced solar photovoltaic (PV) farm in Haixi AP, Qinghai, China.



50MW solar tower CSP plant in Haixi, Qinghai Province sets a new ...



The multi-energy complementary solar thermal power station in Haixi Prefecture of Qinghai Province is located in the east exit photovoltaic power generation park of Golmud, Qinghai Province.

Haixi (Luneng), China

Today, John Cockerill is proud to be trusted by SEPCOIII for the design and supply of one of its key equipment for their first solar tower in China and intends to be a solid partner in CSP for the many ...



Location map of Haixi solar power station

The Huanghe Qinghai Delingha Solar Thermal Power Project is an 810MW concentrating solar power (CSP) plant proposed to be constructed in phases at Delingha City, within the Haixi ...

Golmud CPV Solar Park

Golmud CPV Solar Park is a 138 MWp (~110 MWAC) concentrator photovoltaics power station located near Golmud City in Haixi Prefecture, Qinghai Province, China. It is the largest operating CPV facility ...



Haixi national energy storage project

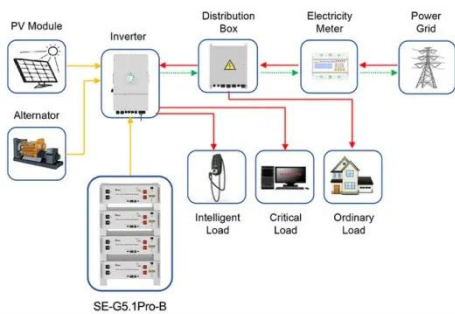
This page provides information on LuNeng Haixi - 50MW Tower CSP project, a concentrating solar power (CSP)

project, with data organized by background, participants, and power plant



CHN Energy's Dachaidan 1 GW Solar-Wind-Storage Project ...

On September 9, China Energy's Qinghai Haixi Company announced the completion of infrastructure construction for the 700 MW photovoltaic station, part of the 1 GW solar-wind-storage ...



Application scenarios of energy storage battery products

LuNeng Haixi

This page provides information on LuNeng Haixi - 50MW Tower CSP project, a concentrating solar power (CSP) project, with data organized by background, participants, and power plant configuration.

Contact Us

For catalog requests, pricing, or partnerships, please visit:
<https://peregrine-energy.co.za>

