

## PEES Power Systems

# Tashkent s new solar container outdoor power

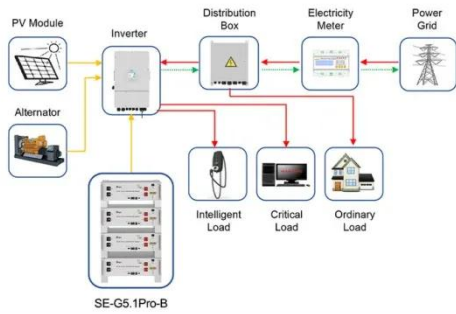


## Overview

---

This project is a key collaboration between ACWA Power and the Uzbekistan Ministry of Energy, which includes a 200MW photovoltaic and 500MWh energy storage system. On April 15 local time, the 200MW PV Plant of Phase I Tashkent Solar-Storage Hybrid Project in Uzbekistan, jointly constructed by China Energy International Group Co., China Energy Engineering Group Zhejiang Thermal Power Construction Co. Located approximately 20 kilometers northeast of Tashkent, the capital city, the project comprises a 200 megawatt (MW) solar. The solar (PV) plant sited within Yuqorichirchik District will operate at a capacity of 200 MW, with a total estimated lifetime yield of 11,861,233 MWh. The PV plant components involved in the generation of electricity from solar radiation are described as follows. Where is Bess project located in.

## Tashkent s new solar container outdoor power



Application scenarios of energy storage battery products

### 200MW PV Plant of Phase I Tashkent Solar-Storage Hybrid Project in

Tashkent Solar-Storage Hybrid Project, an IPP project initiated by ACWA Power in partnership with the Ministry of Energy of Uzbekistan, comprises Phase I 200MW PV plant and ...

### Tashkent Solar Energy Storage

The Tashkent Solar Energy Storage Project is a landmark renewable energy initiative in Uzbekistan, aiming to enhance the country's clean energy capacity and grid stability.



### Tashkent solar container outdoor power assembly , EQACC SOLAR

Where is Bess project located in Tashkent? The PV plant and the BESS facility are situated 3.5 km apart, within Yuqorichirchik District and Parkent District respectively. Both districts are located within ...

## Tashkent's new solar container outdoor power

Tashkent's new solar container outdoor power Uzbekistan's first utility-scale solar and battery storage facility, the Nur Bukhara PV and BESS project inaugurated by President Mirziyoyev.



## Tashkent solar container materials

As the photovoltaic (PV) industry continues to evolve, advancements in Tashkent solar container materials have become critical to optimizing the utilization of renewable energy sources.

## Tashkent solar container power plant

The Phase I PV plant has completed grid connection and commenced power generation on April 27, while Phase II energy storage project is now under accelerated construction.



## Uzbekistan's largest solar energy storage project sprints towards key

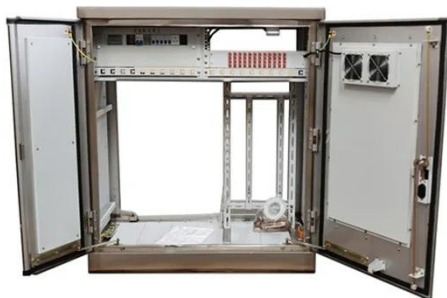
The Tashkent solar energy storage

project in Uzbekistan, led by China Energy Engineering Corporation, has made significant progress - the structural topping out of the energy ...



## TASHKENT OUTDOOR SOLAR CONTAINER POWER SUPPLY

This guide explores the growing market of portable energy solutions in Uzbekistan's capital, helping you find the best products for camping, a?, PowerVault Technologies - Looking for reliable outdoor power ...



## China Datang starts building solar power plant in Uzbekistan, China

Two energy storage systems with a capacity of 200 MW and costing \$220 million will be built in the Parkent and Piskent districts together with China Energy Overseas Investment. They will ...

## Outdoor Power Supply Solutions in Tashkent

## Production Trends and ...

Summary: Discover how Tashkent's outdoor power supply industry is evolving to meet growing energy demands. This article explores production innovations, key applications, and why Uzbekistan's ...



---

## Contact Us

For catalog requests, pricing, or partnerships, please visit:  
<https://peregrine-energy.co.za>

