

**PEES Power Systems**

# **Solar photovoltaic panel su model**



## Overview

---

In this tutorial, we'll crack open the toolbox of SU modeling specifically for solar applications, complete with industry secrets that'll make your models shine brighter than a midday panel in July. Sustainable Energy Sun Panels. 3D Warehouse is a website of searchable, pre-made 3D models that works seamlessly with SketchUp. Browse through BIMobject's curated library of manufacturer-specific products to research and select which electrical - solar panels to use in your project. Whether you're looking for something for a particular market, BIM software, or brand you can find it here. Whether you're an architect visualizing a green roof, a student working on renewable energy projects, or a DIY enthusiast planning your off-grid cabin, mastering this skill. This solar photovoltaic panels scale model is a representation of a solar energy system, featuring four individual units, each containing 14 solar panels.



## Photovoltaic 3D models

Photovoltaic 3D models ready to view and download for free.



## Solar Photovoltaic Panels

The model accurately illustrates the structure and arrangement of a real-world solar farm, showcasing how photovoltaic panels convert sunlight into electricity.

## photovoltaic+panels

3D Warehouse is a website of searchable, pre-made 3D models that works seamlessly with SketchUp.



## Mastering Photovoltaic Panel SU Modeling: A Step-by-Step Guide for

In this tutorial, we'll crack open the toolbox of SU modeling specifically for

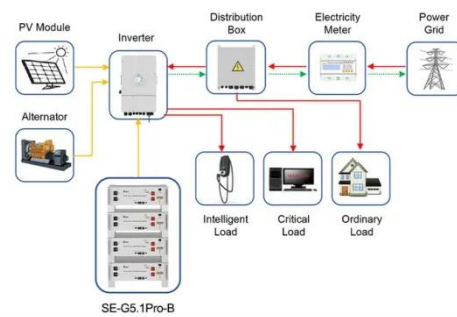
- LIQUID/AIR COOLING
- INTELLIGENT INTEGRATION
- PROTECTION IP54/IP55
- BATTERY /6000 CYCLES



solar applications, complete with industry secrets that'll make your models shine brighter than a midday panel in July.

## Solar photovoltaic modeling and simulation: As a renewable energy

In this context, a single diode equivalent circuit model with the stepwise detailed simulation of a solar PV module under Matlab/Simulink ambience is presented. I-V and P-V graph of solar PV ...



Application scenarios of energy storage battery products



## Sketchup Skelion solar design plugin renewable energy.

Design solar thermal or solar photovoltaic installations starting from a 3d model. Design residential installations or ground mount power plants in a few clicks using Sketchup and Google Earth.

## Contact Us

For catalog requests, pricing, or partnerships, please visit:

<https://peregrine-energy.co.za>

