

PEES Power Systems

Solar Wattage Size



Overview

Divide the average daily wattage usage by the average sunlight hours to measure solar panel wattage. Moreover, panel output efficiency directly impacts watts and the system's overall capacity. These are the practical solar panel dimensions by wattage from solar panels that are actually sold on the market (made by SunPower, Panasonic, QCells, REC Solar, Renogy, Bluetti, and so on). Nevertheless, energy usage, sunshine exposure, system capacity, panel types and materials all have an. Panel "Size" vs Physical Dimensions: The most critical distinction for homeowners is that solar panel "size" refers to electrical output (measured in watts), not physical measurements. A 400W panel has the same physical footprint whether it produces 350W or 450W – the difference lies in cell. Standard residential solar panels are typically around 5.5 feet wide and weigh between 40 to 50 pounds.

Solar Wattage Size

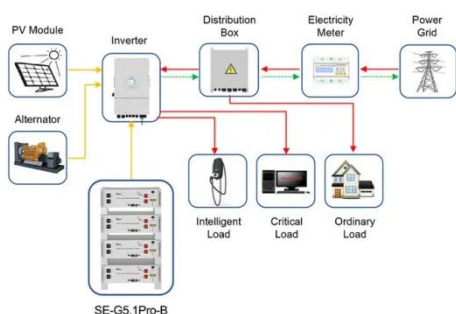


The Ultimate Guide to Solar Panel Size, Weight & Wattage (2025)

Sizes and weights vary by manufacturer and wattage. Q: What are the standard solar panel sizes? A: There's no single "standard" size, but most residential panels are similar, commonly ...

Solar Panel Size & Dimensions Guide 2025 , Complete Specs

Solar panel size is measured in watts (W) and indicates how much electricity the panel can produce under standard test conditions. Here's the key distinction every homeowner should ...



Application scenarios of energy storage battery products

Solar Panel Size Guide , Best Panel Size for Your Roof

Solar panel size shapes everything from the watts to the ease of lifting a module onto a roof. The insights that follow weigh the gains and compromises of large versus compact panels, ...

Solar Panel Size and Wattage Chart: Standard Sizes & Uses for Each

Using a solar panel size chart can help you choose the best types of solar panels for your home or application. Because the size of a standard solar panel can vary, a chart that outlines the

...



Standard Solar Panel Sizes And Wattages (100W-500W Dimensions)

The goal here is to get to the average solar panel size by wattage. You can find typical dimensions of 100W, 150W, 170W, 200W, 200W, 220W, 300W, 350W, 400W, and 500W solar panels summarized ...

Understanding Solar Panel Sizes and Wattage: A Complete Tutorial

When considering solar panel sizes and wattage, you'll typically find options ranging from 250 to 400 watts. Opting for higher wattage units can be a game-changer, especially for those with ...



Solar Panel Size Guide (with 4 Charts)



Solar panel sizes are measured in two ways: watt output and physical dimensions. Physical dimensions refer to the height, length and width of the solar array. The wattage refers to how much power the ...

Solar Panel Sizes and Wattage Explained

Best Solar Panel Sizes and Wattage Calculator This curated list includes top-brand calculators for determining panel size, output and battery capacity for your system along with wattage ...



Solar Panel Sizes and Wattage: Everything You Need to Know

Home solar panels are usually made of 60 solar cells (or 120 half-cut solar cells) and can produce electricity from 250W to 400W. They come in varied sizes, ranging from 1.6m tall by 1.0m ...



Solar Panel Size and Wattage Guide: What Works Best for Homes

High-quality residential solar installations

in the US typically utilize solar panels rated between 250W and 430W. As solar panels get more efficient and produce more electricity, 350W is a ...



Contact Us

For catalog requests, pricing, or partnerships, please visit:
<https://peregrine-energy.co.za>

