

PEES Power Systems

Shakou Solar Power Generation



Overview

Jointly developed by China National Offshore Oil Corporation (CNOOC) and China Southern Power Grid (CSG), it is expected to be the largest parking shed distribution solar power generation project in Zhuhai of South China's Guangdong Province. Global Solar Power Tracker, a Global Energy Monitor project. Guangdong Yingde Shakou solar power plant is an operating solar photovoltaic (PV) farm in Dongguapu Village in Shakou Town, Yingde City, Qingyuan, Guangdong, China. Read more about Solar capacity ratings. is a renowned and highly respected manufacturer and agent of new energy equipment in China. In June 2024, China connected the 3.5 GW Midong solar project near Ürümqi in Xinjiang to the grid, making it, at that moment, the world's largest single operational PV plant. The. A combined cycle power plant owned and operated by Shakou JV which is located at Shakou, Foshan City, the PRC with a total installed capacity of 300,000kW “subsidiaries” as defined under section 2 of the Companies Ordinance, Cap.

Shakou Solar Power Generation



World's 10 biggest solar power projects transforming energy future

Miles-long rows of solar panels humming under the desert sun, powering whole regions. This list cuts through the noise, ambitious announcements, and glaring projections.

Largest Solar-Power Storage-Charging Integrated Project in Zhuhai

Jointly developed by China National Offshore Oil Corporation (CNOOC) and China Southern Power Grid (CSG), it is expected to be the largest parking shed distribution solar power generation project in ...



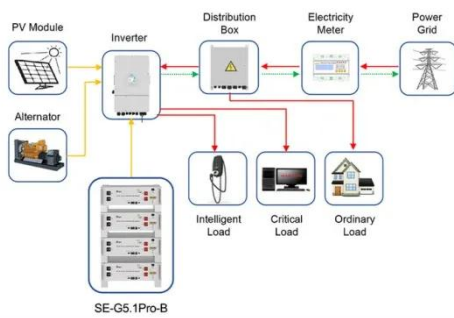
Foshan Shakou Power Plant Co Ltd

Foshan Shakou Power Plant Co. Ltd. operates as a power plant. The Company offers electricity generation, transmission, distribution, and other services.

Shakou Power Plant Definition , Law Insider

It owns and operates the Shakou Power Plant at Shakou, Foshan City, the PRC with a total installed capacity of approximately 300,000kW with maximum available capacity being utilized during period of high electricity

...



Application scenarios of energy storage battery products

Guangdong Yingde Shakou solar power plant

Guangdong Yingde Shakou solar power plant is an operating solar photovoltaic (PV) farm in Dongguapu Village in Shakou Town, Yingde City, Qingyuan, Guangdong, China.

Guangdong Yingde Shakou Fishery/Agriculture solar farm

Guangdong Yingde Shakou Fishery/Agriculture solar farm is a solar photovoltaic (PV) farm in pre-construction in Shakou Town, Yingde City, Qingyuan, Guangdong, China.



- IP65/IP55 OUTDOOR CABINET
- ALUMINUM
- OUTDOOR ENERGY STORAGE CABINET
- OUTDOOR EQUIPMENT CABINET

Shanghai Electric Power Generation Engineering Co.



Shanghai Electric Power Generation Engineering Company is one of the core businesses of Shanghai Electric Group, a large equipment manufacturing conglomerate in China.

The Amount of New Solar Power Production Capacity China Is

China's solar energy production is reaching simply staggering levels, dragging energy costs down around the globe.



Solar power generation, 2025

Electricity generation from solar, measured in terawatt-hours.

Contact Us

For catalog requests, pricing, or partnerships, please visit:
<https://peregrine-energy.co.za>

