

PEES Power Systems

Schematic diagram of indoor solar power generation



Schematic diagram of indoor solar power generation



Schematic Diagram Of Solar Power Generation

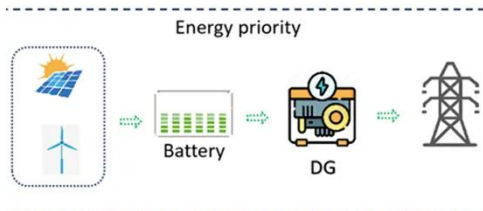
Overall, understanding a schematic diagram of solar power generation is an essential part of learning about and taking advantage of the benefits of this clean, renewable energy source.

Schematic diagram and explanation of solar power generation

The schematic diagram typically starts with the solar panels, which are the main source of the system's power. The panels convert sunlight into electricity through the use of photovoltaic cells. The diagram shows how the ...



Solar Power Plant Diagram: Key Components



A solar power plant diagram is a visual representation that outlines the key components and energy flow within a solar energy system. This type of diagram is essential for understanding how solar ...

Guide to a Solar Energy Diagram: Uses and Applications

A solar energy diagram is a vital tool for designing and installing a solar power system. Whether you're an installer, engineer, or homeowner, these visuals serve as a blueprint for understanding how power ...



The Ultimate Solar Panel System Schematic Diagram: A

...

Discover the components and layout of a solar panel system through a detailed schematic diagram. Learn how solar panels, inverters, batteries, and other essential components work together to harness the power of the ...

Schematic diagram of solar power generation

A solar panel wiring diagram (also known as a solar panel schematic) is a technical sketch detailing what equipment you need for a solar system as well as how everything should connect together. ...



Schematic diagram of solar



cells for purposes of indoor light energy

The transducer of LEH is a cell or panel based on the photovoltaic effect. Fig. 8 shows a basic schematic diagram of solar cells for indoor light energy harvesting.

Solar Energy System Diagram and Components

Explore the components and layout of a solar energy system with a detailed diagram to understand its structure and functionality.



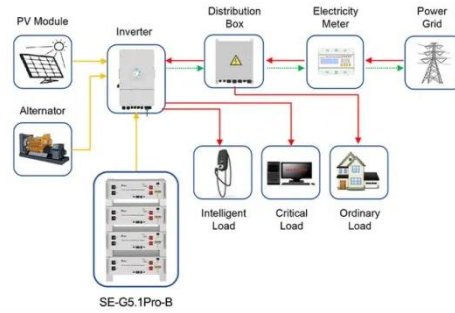
The Ultimate Guide: Understanding the Schematic Diagram of a Solar

Learn about the schematic diagram of a solar power plant and how it converts sunlight into electricity. Understand the components and working principles of solar power plants, including solar panels, inverters, ...

Solar Power System Design Schematic Template

Crafted with EdrawMax, this *Solar

Power System Design Schematic Template* visualizes a solar energy setup. The diagram includes key elements: solar panels, a battery for energy storage, a hybrid ...



Application scenarios of energy storage battery products

Contact Us

For catalog requests, pricing, or partnerships, please visit:
<https://peregrine-energy.co.za>

