

PEES Power Systems

Price Inquiry for Three-Phase Photovoltaic Outdoor Cabinets Used in Ports and Terminals



Overview

Click here to contact the supplier through an inquiry. Photovoltaic step-up box transformer is usually integrated in a box by the following three parts: Photovoltaic inverter (optional part): Convert the direct current (DC) output by photovoltaic modules into alternating current (AC), and the common output voltages are 270V, 315V, 400V, etc. Step-up. NLR analyzes the total costs associated with installing photovoltaic (PV) systems for residential rooftop, commercial rooftop, and utility-scale ground-mount systems. This work has grown to include cost models for solar-plus-storage systems. NLR's PV cost benchmarking work uses a bottom-up. HBOWA PV energy storage systems offer multiple power and capacity options, with standard models available in 20KW 50KWh, 30KW 60KWh, and 50KW 107KWh configurations. You can add many battery modules according to your actual needs for customization. The overall expenditure can be affected significantly by 1. the. EXW Price: US \$0. PVMARS provides a complete. Maximize energy production, safety, and achieve significant savings in Balance of System (BoS) and Operations and Maintenance (O&M) costs with our range of innovative and lightweight three phase inverters country save on energy costs and leave a smaller carbon footprint.

Price Inquiry for Three-Phase Photovoltaic Outdoor Cabinets Used in



Outdoor Photovoltaic Energy Cabinet, Base Station Energy Storage

Highjoule's Outdoor Photovoltaic Energy Cabinet and Base Station Energy Storage systems deliver reliable, weather-resistant solar power for telecom, remote sites, and microgrids.

Energy storage cabinet sales price inquiry table

Please feel free to buy custom made scalable outdoor energy storage at competitive price from our factory. Contact us for more details. +86-592-5558101. sales@poweroad-ess

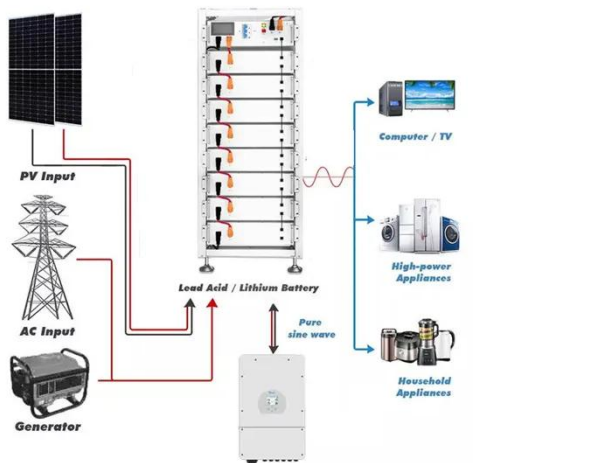


Solar Installed System Cost Analysis , Solar Market Research

NLR analyzes the total costs associated with installing photovoltaic (PV) systems for residential rooftop, commercial rooftop, and utility-scale ground-mount systems.

Three Phase Commercial Solar Inverters , SolarEdge US

Maximize energy production, safety, and achieve significant savings in Balance of System (BoS) and Operations and Maintenance (O& M) costs with our range of innovative and lightweight three phase ...

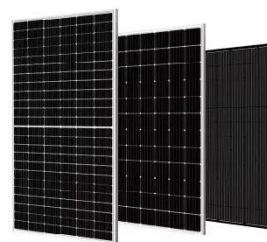


How much does a solar photovoltaic grid-connected ...

To determine the financial investment involved in acquiring a solar photovoltaic grid-connected cabinet, several critical factors must be examined.

Energy Storage Cabinet Outdoor 20KW 50KWh/ 30KW 60KWh

Cooperate with solar panels to form an energy-saving and green photovoltaic storage system, making it easier to build an independent energy storage system for residential and commercial use.



Photovoltaic Grid Cabinet Market, Size, Share, Trends



and Forecast ...

Market Overview: The report provides a comprehensive overview of the Photovoltaic Grid Cabinet market, including its definition, historical development, and current market size.

Outdoor Photovoltaic Energy Cabinet

It is built specifically for outdoor installation and integrates advanced LiFePO4 battery technology, a high-level battery management system, and secure weatherproof housing, making it ideal for ...



50KW modular power converter



3MWh Energy Storage System With 1.5MW Solar

PVMARS uses a 20-ft standard container high cabinet, equipped with a 3.35MWh capacity lithium iron phosphate battery. It also has a BMS system, PCS, fire protection system, air conditioning (HVAC) ...

3c Certified Low Cost Three-Phase Outdoor Photovoltaic

Step-up ...

3c Certified Low Cost Three-Phase Outdoor Photovoltaic Step-up Cabinet, Find Details and Price about Step-up Box Transformer Substation from 3c Certified Low Cost Three-Phase Outdoor Photovoltaic ...



Contact Us

For catalog requests, pricing, or partnerships, please visit:
<https://peregrine-energy.co.za>

