

PEES Power Systems

Power grid solar container energy storage system quotation



Overview

Each system, including 5 kW panels, a 10 kWh lithium battery bank, and real-time remote monitoring, cost around USD \$25,000, including shipping and installation. Let's talk about actual prices. Here are standard ballpark estimates (in USD):. A solar power container is a self-contained, portable energy generation system housed within a standardized shipping container or custom enclosure. These turnkey solutions integrate solar panels, inverters, batteries, charge controllers, and monitoring systems into a single transportable unit that. As demand is rising around the world for off-grid power in far-flung, mobile, and emergency applications, people want to know how much does a solar container system cost?

Whether it's NGOs giving refugee camps electricity or construction firms seeking reliable power in undeveloped regions. Learn how to break down costs for containerized battery systems – from hardware to hidden fees – and discover why 72% of solar+storage projects now prioritize modular designs. How many containers do you need?

* I agree to receive phone and email communications from Boxhub. Boxhub is committed to protecting and respecting your privacy. You may unsubscribe. The shipping container energy storage system represents a leap towards resourcefulness in a world thirsty for sustainable energy storage solutions. Engineered for rapid deployment, high safety, and.

Power grid solar container energy storage system quotation



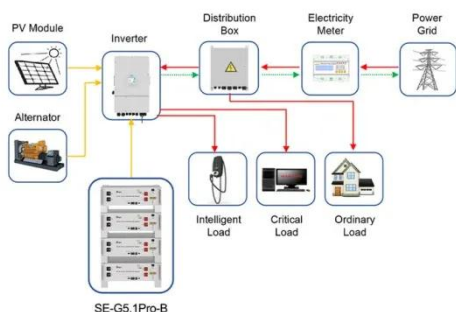
Container Energy Storage Off Grid Solar System Market

Falling technology costs and improving efficiency make containerized solar energy storage systems increasingly affordable in remote areas. Solar panel prices have dropped 82% since 2010, ...

2025 Guide: Containerized Energy Storage Systems for Scalable Power

What is a Containerized Energy Storage System? A Containerized Energy Storage System (ESS) is a modular, transportable energy solution that integrates lithium battery packs, BMS, ...

LPSB48V400H
48V or 51.2V



Application scenarios of energy storage battery products

How Much Does It Cost to Have a Solar Container System?

Wondering what a solar container system costs? Explore real-world price ranges, components, and examples to understand what impacts total cost--and if it's worth the investment.

Shipping Containers for Power Generation & Energy Storage

Transform shipping containers into battery energy storage systems (BESS). These containers can house batteries for storing excess energy generated from renewable sources such as solar or wind

...



Energy Storage Container for Modular Solutions , Enerbond

Whether you're integrating renewables, stabilizing your operations, or seeking cleaner alternatives to diesel, Enerbond's containerized energy storage solutions are built to meet your ...

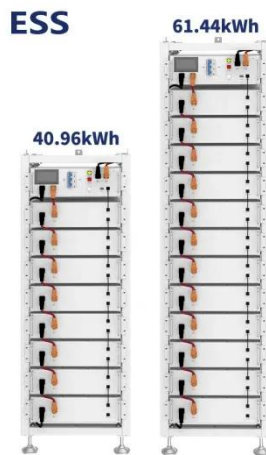
Off-Grid Solar Storage Systems: Containerized Solutions for Reliable

Explore the benefits and technology behind containerized off-grid solar storage systems. Learn how these scalable, cost-efficient solutions provide reliable power and energy independence

...



Understanding Solar Container Pricing in 2025



Solar container systems - those all-in-one power stations combining photovoltaic panels, batteries, and inverters in shipping containers - have become the Swiss Army knives of renewable energy. But let's ...

Shipping Container Energy Storage System Guide

Explore innovative shipping container energy storage systems for sustainable, off-grid power solutions. Harness renewable energy storage effectively.



How to Calculate the Cost of Energy Storage Container Power ...

Planning an energy storage project? Learn how to break down costs for containerized battery systems - from hardware to hidden fees - and discover why 72% of solar+storage projects now prioritize ...

Solar Power Container: Complete Guide to Portable Solar Energy ...

Comprehensive guide to solar power containers covering system components, applications, sizing, installation, costs, and benefits for off-grid power, emergency backup, and ...



Contact Us

For catalog requests, pricing, or partnerships, please visit:
<https://peregrine-energy.co.za>

