

PEES Power Systems

Myanmar 5G communication base station wind and solar complementary construction project



Myanmar 5G communication base station wind and solar compleme

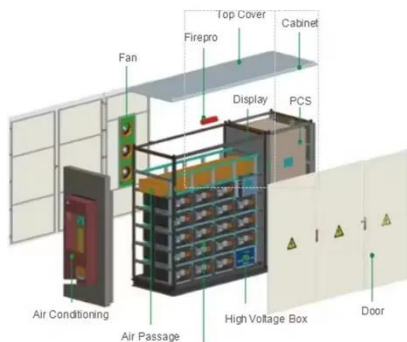


A WIND SOLAR COMPLEMENTARY COMMUNICATION

Can EMC communicate with a 5G network? However, the communication operator builds the BS to complement the 5G signal, and the establishment of a communication BS does not mean the ...

Design of Oil Photovoltaic Complementary Power Supply Scheme for ...

After analyzing the advantages and disadvantages, the oil solar complementary power supply scheme is finally determined. This construction method reduces construction costs, saves ...



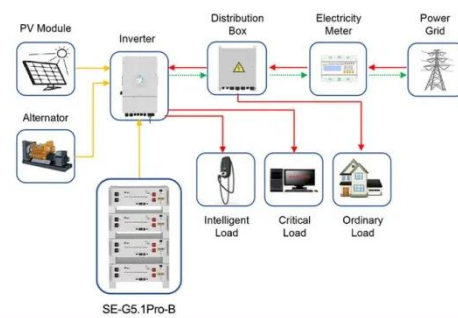
WIND SOLAR HYBRID POWER SYSTEM FOR THE ...

Tender for the construction of wind and solar hybrid 5G communication base stations in Myanmar A massive increase in the amount of data traffic over mobile wireless communication has been ...

Communication base station wind and solar complementary

...

This article aims to reduce the electricity cost of 5G base stations, and optimizes the energy storage of 5G base stations connected to wind turbines and photovoltaics.



Application scenarios of energy storage battery products



Wind power construction of communication base stations

The wind-solar-diesel hybrid power supply system of the communication base station is composed of a wind turbine, a solar cell module, an integrated controller for hybrid energy

A WIND SOLAR COMPLEMENTARY COMMUNICATION BASE

Tender for the construction of wind and solar hybrid 5G communication base stations in Myanmar A massive increase in the amount of data traffic over mobile wireless communication has been ...



Myanmar 5G communication base station wind and solar ...



The invention relates to a communication base station stand-by power supply system based on an activation-type cell and a wind-solar complementary power supply system.

Communication base station wind and solar complementary

...

The system configuration of the communication base station wind solar complementary project includes wind turbines, solar modules, communication integrated control cabinets, battery



Contact Us

For catalog requests, pricing, or partnerships, please visit:
<https://peregrine-energy.co.za>

