

## PEES Power Systems

# Malawi Mobile Energy Storage Container



Application scenarios of energy storage battery products



## Overview

---

Emerging markets in Africa and Latin America are adopting mobile container solutions for rapid electrification, with typical payback periods of 3-5 years. Major projects now deploy clusters of 20+ containers creating storage farms with 100+MWh capacity at costs below. What is a mobile solar PV container?

High-efficiency Mobile Solar PV Container with foldable solar panels, advanced lithium battery storage (100-500kWh) and smart energy management. Ideal for remote areas, emergency rescue and commercial applications. Fast deployment in all climates. How much power. The price of energy storage containers in Malawi typically ranges between \$15,000 and \$120,000, depending on three key factors: A textile factory in Malawi's commercial capital reduced their diesel generator usage by 80% after installing a 200kWh storage system. The container stores solar energy. President Lazarus Chakwera has today officially launched the Battery Energy Storage System (BESS) project by the Electricity Supply Corporation of Malawi (Escom) at Kanengo in Lilongwe. 2 million initiative, supported by the Global Energy Alliance for People and Planet (Geapp), is poised to. Huijue Group's energy storage solutions (30 kWh to 30 MWh) cover cost management, backup power, and microgrids. To cope with the problem of no or difficult grid access for base stations, and in line with the policy trend of energy saving and emission reduction, Huijue Group has launched an. Nurse Miriam Konya doesn't know how her household food pantry would have fared in 2024 were it not for the cheap, portable Chinese-made lithium-ion battery that powers her mini-fridge. Our stored food and medicines go bad quickly," she. Malawi's energy landscape resembles a car running on half-empty tank - occasional sputters, unpredictable performance, but immense potential under the hood. With only 18% urban electrification and 4% rural access to electricity (World Bank 2022), energy storage batteries could be the spark plug.

## Malawi Mobile Energy Storage Container



### Energy Storage Equipment, Energy storage solutions, Lithium battery

The Huijue Group Off-Grid Solution comprises three main components: photovoltaic systems, energy storage systems, and off-grid systems, enabling energy self-sufficiency.

## LILONGWE ENERGY STORAGE SYSTEM CONSTRUCTION ...

Emerging markets in Africa and Latin America are adopting mobile container solutions for rapid electrification, with typical payback periods of 3-5 years. Major projects now deploy clusters of 20+ ...



114KWh ESS



### MALAWI CONTAINER MOBILE HOUSE ENERGY STORAGE BOX

Containerized Battery Energy Storage Systems (BESS) are essentially large batteries housed within storage containers. These systems are designed to store energy from renewable sources or the grid ...



## In Climate-Stressed Malawi, Chinese Battery Energy Storage Kits ...

Portable energy storage batteries are doing brisk business in Malawi. Twenty-three thousand batteries were imported from China by small businesses, households, or government ...



## Malawi containerised battery storage

Malawi is building its first battery-energy storage system to protect its grid from extreme weather, including cyclones that have repeatedly disrupted power in recent years.

## Malawi Energy Storage Container Price: Key Factors and Market ...

Malawi's energy sector faces a critical challenge: only 18% of its population has access to reliable electricity. With frequent power outages affecting businesses and households, energy storage ...



## Malawi's Energy Storage Revolution: Powering a

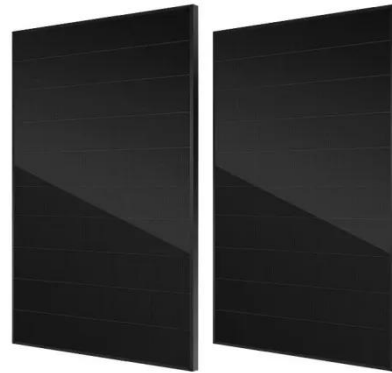


## Sustainable Future

With proper storage infrastructure, Malawi could leapfrog traditional grid development - much like how mobile phones bypassed landline networks. The technology exists.

## Malawi Energy Storage Project

The Global Energy Alliance for People and Planet (GEAPP) and the Government of Malawi have officially launched the construction of a 20 MW battery energy storage system (BESS) at the ...



LiFePO<sub>4</sub> Battery, safety

Wide temperature: -20~55°C

Modular design, easy to expand

The heating function is optional

Intelligent BMS

Cycle Life: > 6000

Warranty: 10 years



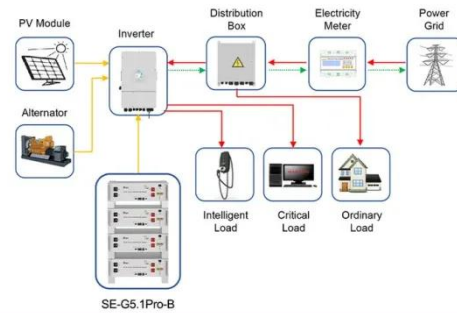
## Energy Storage Battery Solutions for Malawi: Powering a Sustainable

We specialize in large-scale energy storage systems, mobile power stations, distributed generation, microgrids, containerized energy storage, photovoltaic projects, photovoltaic products, solar industry ...

## LILONGWE PV ENERGY STORAGE PROJECT POWERING

...

Intelligent Photovoltaic Energy Storage Container 350kW Project Financing What is a mobile solar PV container? High-efficiency Mobile Solar PV Container with foldable solar panels, advanced lithium ...



Application scenarios of energy storage battery products

## Contact Us

For catalog requests, pricing, or partnerships, please visit:  
<https://peregrine-energy.co.za>

