

PEES Power Systems

Indonesia Lead-acid Battery Cabinet 42U Energy Management

Product Details



Indonesia Lead-acid Battery Cabinet 42U Energy Management



Indonesia Motive Lead Acid Battery Market , 2019 - 2030 , Ken ...

The future of the Indonesia motive lead acid battery market appears promising, driven by increasing investments in electric vehicles and renewable energy projects.

Battery Cabinet, Battery Storage Cabinet, Battery Bank Rack

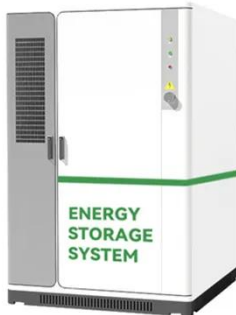
The cabinet or racking system can be specified to accommodate any battery cell. From flooded to sealed, from lead acid to nickel cadmium and from vertical to horizontal all kinds of battery cabinet / rack can ...



PT. New Indobatt Energy Nusantara

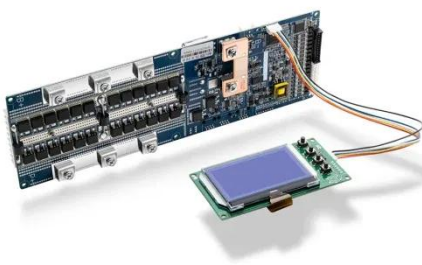
A Maintenance-Free Battery based on nano technology combined with Dual Fiber and Super Cure technology on battery cells. It makes NGS Maintenance-Free battery has longer battery life, very

low ...



BATTERY CABINETS CATALOGUE

The construction characteristics of the recombination type lead-acid electric accumulators (valve-regulated hermetic accumulators); the absence of acid fumes and the virtual absence of gaseous ...



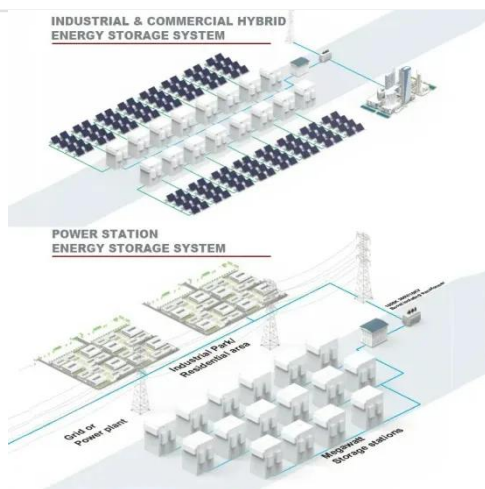
Jakarta Container Energy Storage Cabinet Manufacturer: Powering

These modular units combine high-capacity batteries with smart management systems - imagine a Swiss Army knife. As Indonesia's capital races toward its 23% renewable energy target by 2025, ...

42U IP20 Lithium Battery Energy Storage Rack Cabinet ,

AZE

AZE's premium quality indoor battery cabinet for low voltage energy storage system, it offers reliability, value and versatility in organizing and securing your 19" standard rack-mount lithium battery. Made ...



Status of Battery in Indonesia to Support Application of Solar PV ...

This article reviews the status of batteries in Indonesia to support the proliferation of solar PV applications. The objective is to compile a battery database for solar PV applications. The database ...

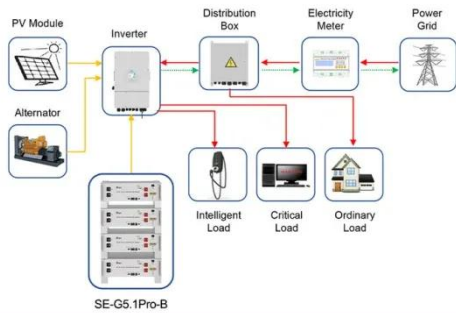
Indonesia Lead-acid Battery Market Growth Analysis

Key trends are reshaping the lead-acid battery market in Indonesia, driven by the expansion of decentralized energy infrastructure and specialized industrial needs.



Indonesia Lead Acid Battery Market Size and Forecasts 2031

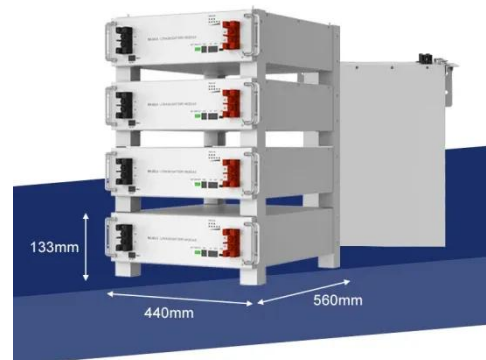
Lead acid will coexist with lithium in segmented roles, defending high-reliability backup and value-focused motive power where TCO and serviceability dominate in Indonesia.



Application scenarios of energy storage battery products

Energy Storage - Website PT SIRI

Experience the seamless integration of renewable energy into your daily life with our household energy storage solutions. For industries, our advanced energy storage systems guarantee optimal ...



Contact Us

For catalog requests, pricing, or partnerships, please visit:
<https://peregrine-energy.co.za>

