

## PEES Power Systems

**How big a cable should a 40kW solar inverter be equipped with**



## Overview

---

The appropriate cable size depends on factors such as: Power output of the inverter: Higher power requires larger cables. Length of the cable: For a 100 watt inverter a 16 AWG wire is suitable for 10ft or under. This is because you will draw a maximum of 100 watts at 12 volts which results in 8. Let's make sure your solar installation doesn't become a campfire story for. Below I provide a primer on inverter ratings for the three main categories of inverters; the prevalent inverter deratings that are largely being accepted and verified by utilities; and how to save time and money by properly sizing inverter output conductors. Ratings for different categories of.

## How big a cable should a 40kW solar inverter be equipped with

---



### PV cable sizing pt 1: Inverter output conductors

Below I provide a primer on inverter ratings for the three main categories of inverters; the prevalent inverter deratings that are largely being accepted and verified by utilities; and how to save ...

## How big a cable does a 40KW photovoltaic inverter use

Based on your requirements and relevant parameters, you can utilize various DC and AC solar cable sizing calculators to determine the suitable wire size for your solar power system.



### Inverter Cable Size Calculator

Using the Inverter Cable Size Calculator, Alex inputs a current of 40A and a voltage of 24V. The calculator recommends a specific cable gauge to maintain efficiency and safety.

## Recommended Inverter Cable, Breaker & Fuse Sizing , AltE Store

Use this table to decide what size battery-to-inverter cables and overcurrent devices (breakers and fuses) to use with your inverter. Remember the fuse and breaker are there to protect your cabling ...

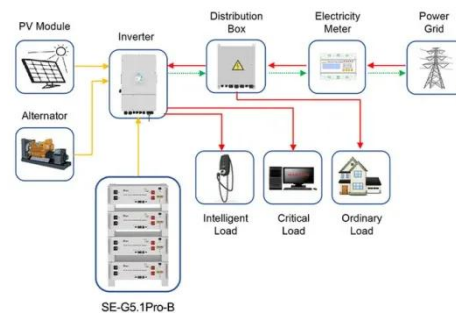


## Inverter Wire Size Calculator

Noting the size of inverter that you're using is the first step in finding safe cables. Whether you need to know what size cables for a 2000-watt inverter or what size fuse for a 400-watt inverter, everything ...

## What Size Wire For Any Inverter: Inverter Wire Size Chart

You should try to keep your inverter less than 10ft (3m) in length to retain the correct voltage and amperage. This is because the shorter the cable the less resistance there is for the voltage.



Application scenarios of energy storage battery products

## What size of cable should I use with my inverter and battery

The most suitable cable size for you is

also based on the distance between the inverter and the solar battery. If the distance between your inverter and the solar battery is between 0 and 15 ...

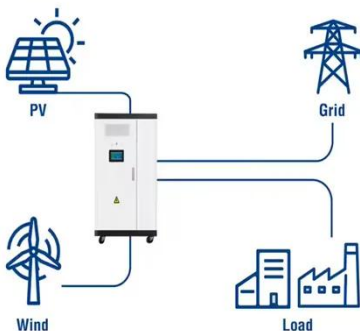


## Inverter Cable Size Calculator

This comprehensive guide explores the science behind cable sizing, providing practical formulas and expert tips to help you select the right cable size for your specific needs.



### Utility-Scale ESS solutions



## Cable Sizing for 40kW Photovoltaic Inverters: A No-Nonsense Guide

The Nuts and Bolts of Cable Selection For a 40kW photovoltaic inverter, you'll typically need cables between 25mm<sup>2</sup> to 35mm<sup>2</sup> depending on these factors:

## Solar Inverter Wire Size Calculator

Phase: Single Phase (230V) Three Phase (400V) Inverter Power (kW):Efficiency (%):Cable Length (One Way, in

meters):Ambient Temperature  
(°C):Temperature Correction Factor: 1.00  
(25-30°C) 0.91 (31 ...



---

## Contact Us

---

For catalog requests, pricing, or partnerships, please visit:  
<https://peregrine-energy.co.za>

