

PEES Power Systems

Household energy storage cabinet assembly



Household energy storage cabinet assembly

Lithium battery parameters

Product capacity: 100Ah

Product size: 135*197*35mm

Product weight: 1.82kg

Product voltage: 3.2V

internal resistance: within 0.5



DIY Home Energy Storage: A Comprehensive Guide to Building Your ...

By building your own battery system, you can enjoy numerous benefits, from cost savings to personalized customization. In this guide, we'll explore the advantages of DIY home energy ...

Residential Battery Cabinets

Engineered to seamlessly integrate into your home, these cabinets offer a sleek and organized solution for your energy storage needs. With secure compartments and modern design, our cabinets provide ...



?Energy Storage Cabinet Assembly: A High-Efficiency Energy Future

See the step-by-step process of assembling energy storage battery cabinets! Perfect for renewable energy projects. DM us for inquiries!

Energy Storage Cabinets: Key Components, Types, and Future ...

Energy storage systems must adhere to various GB/T standards, which ensure the safety, performance, and reliability of energy storage cabinets. These standards provide guidelines ...

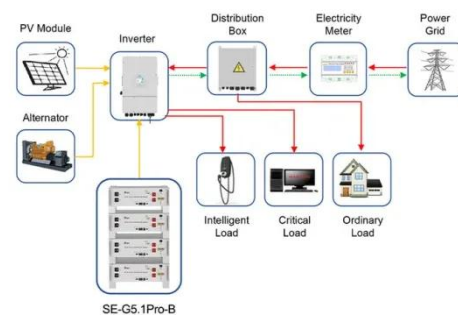


All-in-One Energy Storage Cabinet & BESS Cabinets , Modular, ...

Featuring lithium-ion batteries, integrated thermal management, and smart BMS technology, these cabinets are perfect for grid-tied, off-grid, and microgrid applications. Explore reliable, and IEC ...

Container Energy Storage Cabinet Assembly: Applications, Trends, ...

Summary: Discover how container energy storage cabinet assembly is revolutionizing renewable energy integration and industrial power management. This guide explores assembly best practices, global ...



Application scenarios of energy storage battery products

How to Choose and Install a

High-Quality Cabinet Type Energy Storage



In this step-by-step guide, we will walk you through the process of choosing and installing a high-quality cabinet type energy storage battery, so you can harness the power of renewable ...

Energy storage cabinets: Durable design excellence

The physical design of an energy storage cabinet impacts its installation, usability, and longevity. Look for units with a robust construction, often featuring durable metallic chassis.



Energy Cabinets: A Smart Solution for Modern Homes

Learn how energy cabinets bring energy storage to the home. Learn what an energy storage cabinet is, benefits, key features, real-world use examples, and the future.



Assemble Your Own Home Energy Storage Cabinet: A Step-by-Step ...

Why DIY Energy Storage Is the New

Weekend Project Forget building birdhouses - assembling your own home energy storage cabinet has become the ultimate power move (pun intended) for modern ...



Contact Us

For catalog requests, pricing, or partnerships, please visit:
<https://peregrine-energy.co.za>

