

## PEES Power Systems

# High power energy storage power supply customization



## High power energy storage power supply customization

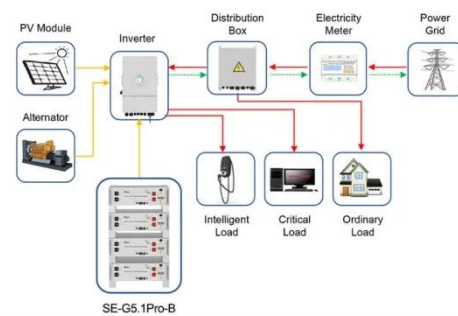


### A Comprehensive Guide to Building High-Voltage Energy Storage ...

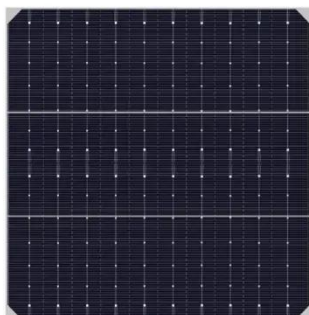
This guide draws on practical cases to explain the fundamentals of high-voltage batteries, the steps to design and select components for an energy storage system, the main industry challenges, and the ...

### Energy Storage Equipment, Energy storage solutions, Lithium battery

Huijue Group offers industrial and commercial energy storage, PV-BESS -EV Charging, Off-grid / On-grid Microgrid, telecom site solutions, and home solar energy storage, ensuring ...



Application scenarios of energy storage battery products

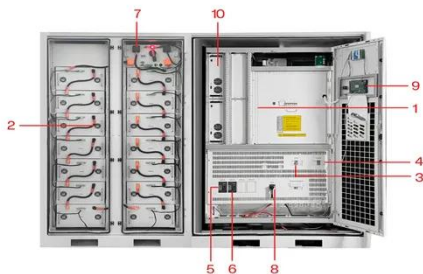


### Battery Energy Storage Systems

JST Power Equipment's battery energy storage systems (BESS) solutions are engineered and custom-built to meet the needs of our customers across global markets and various industry applications.

## OEM Custom Energy Storage Solutions by LondianESS

Investing in OEM-customized energy storage systems from LondianESS ensures higher efficiency, reliability, and long-term savings compared to generic solutions. Whether for utility-scale projects, ...



- |                             |                             |
|-----------------------------|-----------------------------|
| 1 PCS Module                | 6 OPV2 side circuit breaker |
| 2 Battery room              | 7 High Volt Box             |
| 3 Grid side circuit breaker | 8 BAT side circuit breaker  |
| 4 Load side circuit breaker | 9 LCD display screen        |
| 5 OPV1 side circuit breaker | 10 MPPT                     |

## Custom Power Supplies , XP Power

Looking for Custom Power Supplies tailored for application requirements? Quality & certification from our in-house design in Asia, Europe and North America.

## Custom-Designed Solar & Storage Systems

At Highjoule, we specialize in designing and manufacturing customized solar and energy storage solutions to meet diverse energy demands -- from grid-tied urban systems to remote off-grid ...



## Simplifying Power Conversion in High-Voltage Systems

This white paper examines the



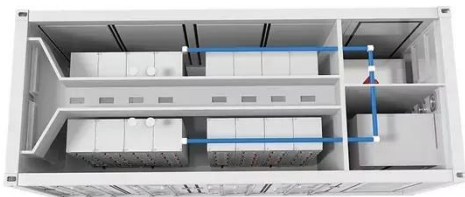
challenges of efficient high-voltage power conversion and provides examples of component, topology and system-level innovations that help simplify power-supply ...

## Custom Power Supply Design: Complete Engineering Guide for 2024

Learn how custom power supply design and battery test systems ensure efficiency, safety, and reliability. Explore applications from energy storage to medical devices.



2MW / 5MWh  
Customizable



## Modified Standard and Custom Power Solutions

Advanced Energy specializes in custom and modified power supply solutions that align with your performance specs, budget targets, and compliance requirements. Whether adapting a proven ...

## Custom power solutions

We offer custom solutions in power supply, Li-ion batteries and battery

charging technology. With experience from industries with the toughest requirements, such as medical services and the military, ...



---

## Contact Us

---

For catalog requests, pricing, or partnerships, please visit:  
<https://peregrine-energy.co.za>

