

## **PEES Power Systems**

# **Energy storage equipment container integration system**



## Overview

---

What is a Containerized Energy Storage System?

A Containerized Energy Storage System (ESS) is a modular, transportable energy solution that integrates lithium battery packs, BMS, PCS, EMS, HVAC, fire protection, and remote monitoring systems within a standard 10ft, 20ft, or. What is a Containerized Energy Storage System?

A Containerized Energy Storage System (ESS) is a modular, transportable energy solution that integrates lithium battery packs, BMS, PCS, EMS, HVAC, fire protection, and remote monitoring systems within a standard 10ft, 20ft, or. Imagine a fully customized energy solution, pre-assembled inside a standard shipping container, ready for delivery anywhere in the world. With minimal on-site setup, it can immediately begin providing reliable, controllable electricity. In this rapidly evolving landscape, Battery Energy Storage Systems (BESS) have emerged as a pivotal technology, offering a reliable solution for storing energy and ensuring its availability when needed. It is far more than just batteries in a box; it is a sophisticated, pre-engineered system that includes battery modules, a.

## Energy storage equipment container integration system



### How a Containerized Battery Energy Storage System Can Improve ...

In this article, we'll explore how a containerized battery energy storage system works, its key benefits, and how it is changing the energy landscape--especially when integrated into large ...

### What is a Containerized Energy Storage System?

A containerized energy storage system is more than just a battery--it's a versatile, intelligent energy platform that drives down costs, increases reliability, and supports sustainability ...



### Battery energy storage systems , BESS

Siemens Energy fully integrated Battery Energy Storage System (BESS) combines advanced components like battery systems, inverters, transformers, and medium voltage switchgear with ...

## How Container Type Energy Storage Systems Works

Container Type Energy Storage Systems (CTESS) are transforming how energy is stored and managed across various sectors. These systems leverage standardized containers to ...



## What Is a Container Energy Storage System?

What is a Containerized Energy Storage System? A containerized BESS is a fully integrated, self-contained energy storage solution housed within a standard shipping container.

## BESS Container Systems , Battery Energy Storage Solutions

Our containerized BESS solutions provide efficient, scalable, and reliable energy storage for utilities, commercial applications, and renewable energy integration.

### Lithium Solar Generator: \$150



## Containerized Energy Storage System: How it Works and Why You ...

Higher Anti-Rust Performance  
Lower Internal Impedance

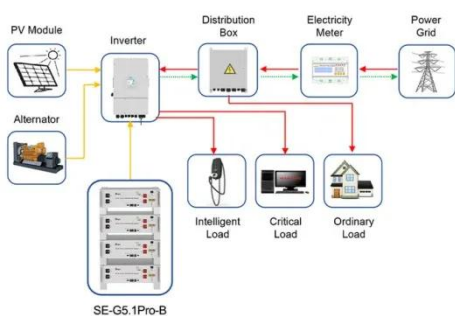
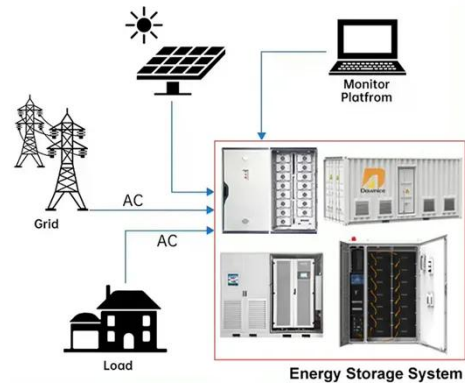


What is a Containerized Energy-Storage System? A Containerized Energy-Storage System, or CESS, is an innovative energy storage solution packaged within a modular, transportable ...

## Containerized Battery Energy Storage System (BESS): 2024 Guide

Discover the benefits and features of Containerized Battery Energy Storage Systems (BESS). Learn how these solutions provide efficient, scalable energy storage for various applications.

### DISTRIBUTED PV GENERATION + ESS



Application scenarios of energy storage battery products

## Revolutionizing Energy Storage: Fully-Integrated BESS Containers by ...

A fully-integrated BESS container is a modular energy storage unit housed within a robust, weatherproof container. These systems come pre-assembled with all necessary components, ...

## 2025 Guide: Containerized Energy Storage Systems for Scalable ...

What is a Containerized Energy Storage System? A Containerized Energy Storage System (ESS) is a modular, transportable energy solution that integrates lithium battery packs, BMS, ...



---

## Contact Us

For catalog requests, pricing, or partnerships, please visit:  
<https://peregrine-energy.co.za>

