

## PEES Power Systems

# Electricity distribution havana



## Electricity distribution havana



### Electricity is starting to arrive in some areas of Havana

The official media outlet Cubadebate reported that at 11:30 a.m. on Wednesday, three transmission substations came online, allowing for the operation of 23 distribution circuits, primarily in ...

## Utilities & Bills in Havana: Your Comprehensive Guide

Water Distribution: Water in Havana is supplied through a public grid maintained by government authorities. While water is generally clean, many residents choose to boil it or use filtration systems ...

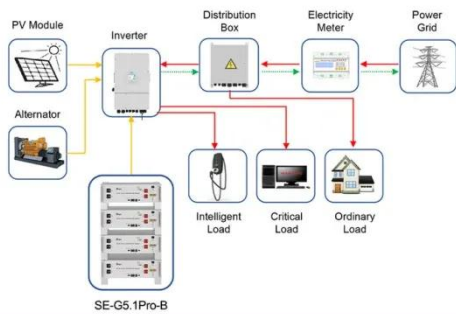


### Cuba Reconnects Electrical Grid, Restores Power to Much of Havana

Cuba reconnected its national electrical grid and restored power to the majority of the capital Havana by late on Sunday, energy officials said, nearly two days after an island-wide outage knocked out power ...

## A large part of Havana is left without electricity after a partial

A large part of Havana was left without electricity this Thursday, following a partial collapse of the National Electric System (SEN) that plunged extensive areas of the capital and other ...



Application scenarios of energy storage battery products

## Cuba's Electric Grid Collapse Leaves Havana Powerless

The Minister of Energy and Mines, Vicente de la O Levy, stated on social media that the "established recovery protocols" for the electric system were already being applied and that energy ...

## Havana gradually restores power , Cuba Si

According to Havana Electricity Company officials, 82 per cent of primary distribution circuits have power and restoration is progressing rapidly in five municipalities with the help of seven ...



## Havana Energy Distribution

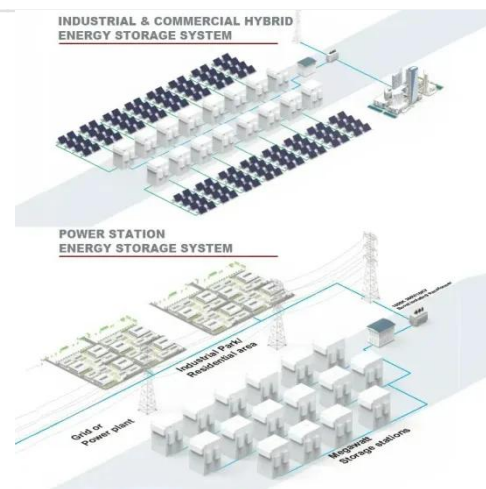
Updates on Havana's energy

distribution, focusing on the challenges of a fragile electrical grid, policy developments, and efforts to stabilize power supply.



## Electricity Returns in Havana and Now There Is No Water

14ymedio, Havana, 18 March 2025 -- After the collapse last Friday of the national electricity system (SEN), electricity is not the only thing missing for Cubans. In Havana, the image of ...



## Cuba's Electricity Crisis: What's Happening and What Comes Next

According to the International Energy Agency (IEA) and other observers, renewables currently account for less than five percent of Cuba's electricity mix, meaning the path to ...

## Recovery of electricity advances in Havana

Havana, Nov 11 (Prensa Latina) The

recovery work in the Cuban capital after the passage of Hurricane Rafael has allowed the reestablishment of electricity service to 91.45 percent of consumers.



---

## Contact Us

For catalog requests, pricing, or partnerships, please visit:  
<https://peregrine-energy.co.za>

