

PEES Power Systems

Electric grid wellington



Overview

Wellington Electricity uses a 33 kV sub-transmission network, with 11 kV high-voltage distribution and 230/400 V low-voltage distribution. The network comprises a high percentage of underground cabling, with 66% of the sub-transmission circuits being cabled. Wellington Electricity also owned and operated several rectifier stations and a 53 km network of DC cables in central. Headquarters · Key people Greg Skelton (CEO) Total assets NZ\$527,446,000 Parent Overview Wellington Electricity, registered as Wellington Electricity Lines Limited, is a company, based in, . Wellington Electricity supplies electricity to approximately 1.5 million people in the Wellington region. On 23 May 2012, with the strongest winds in Wellington in over a decade caused extensive damage to the network, leading to 8,000 outages. By 5 May, there were still 300 homes without power, and the network was still being repaired. The ownership of Wellington Electricity has changed significantly since the early 1990s. At the start of the 90s, the Wellington City Council Municipal Electricity Department (MED) and the Hutt Valley Electric Power Board (HV.

Electric grid wellington

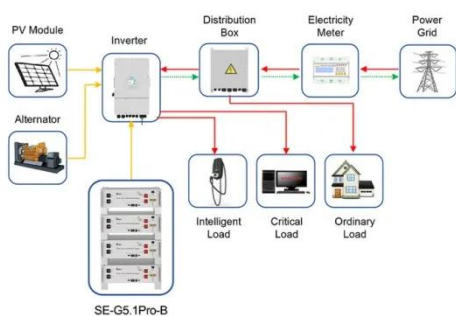


Transmission

We work with the grid owner (Transpower) to ensure the grid meets the required reliability and service levels. We are also responsible for transmission pricing policy to promote the efficient day-to-day ...

Wellington Electricity

Your helpful guide to our electricity network Here we'll share useful information including our plans for the future, and how you can help shape these.



Application scenarios of energy storage battery products

Wellington Power Outages Map

Check out the current power outage schedule for Wellington (New Zealand), featuring detailed timings and updates to help you stay informed and ready for any disruptions.

Wellington Electricity

Wellington Electricity uses a 33 kV sub-transmission network, with 11 kV high-voltage distribution and 230/400 V low-voltage distribution. The network comprises a high percentage of underground ...



Wellington Electricity Explained



Wellington Electricity supplies electricity to approximately 400,000 consumers through over 164,500 installation connection points (ICPs) in its network that covers the Wellington city, ...

Wellington Power Prices Guide: Local Costs & Solar Savings

Learn about Wellington's electricity pricing trends, with average annual bills at \$2,245. Discover how solar solutions are helping local homeowners reduce energy costs.



National Grid (New Zealand)

The National Grid is the nationwide system of electric power transmission in New Zealand. The grid is owned, operated and maintained by Transpower

New Zealand, a state-owned enterprise, although ...



Wellington Electricity

Find the list of all power providers under Wellington Electricity network.



WEL Networks

At WEL Networks, we deliver innovative and sustainable energy solutions which enable our communities to thrive. With over 95,000 households and businesses connecting to our electricity services, we play ...

Contact Us

For catalog requests, pricing, or partnerships, please visit:
<https://peregrine-energy.co.za>

