

PEES Power Systems

Conakry moisture-proof battery cabinet production



Conakry moisture-proof battery cabinet production



Conakry Battery Energy Storage Project: Powering Sustainable ...

Summary: The Conakry Battery Energy Storage Project represents a groundbreaking initiative to stabilize Guinea's power grid while accelerating renewable energy adoption. This article explores its ...

Conakry Intelligent Energy Storage Cabinet: Key Solutions for Reliable

That's the reality enabled by solutions like the Conakry Intelligent Energy Storage Cabinet. Designed for tropical climates and dynamic energy needs, these systems are becoming the backbone of reliable ...



Energy Storage Materials in Malabo and Conakry: Powering Africa's ...

Malabo's tropical humidity making your phone battery drain faster than a kid gulping sugarcane juice, while Conakry's bustling markets rely on diesel generators that sound like grumpy

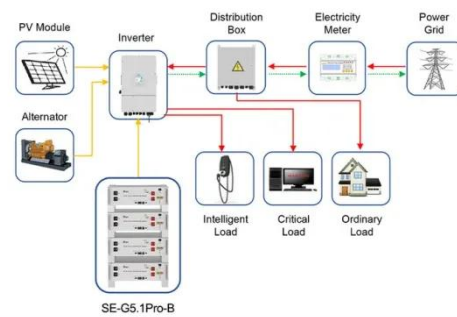


dinosaurs. Both ...

Conakry Heavy Industry Energy Storage Cabinet Cost: A

...

When discussing energy storage cabinets for heavy industries in Conakry, the primary audience includes factory managers, project developers, and procurement specialists.



Application scenarios of energy storage battery products

CONAKRY ENERGY STORAGE BATTERY AUTOMATED ...



Next-generation battery management systems maintain optimal operating conditions with 45% less energy consumption, extending battery lifespan to 20+ years. Standardized plug-and-play designs ...

CONAKRY POWER AND ENERGY STORAGE LITHIUM BATTERY

What is the difference between a battery rack and a container? The battery rack consists of the required number of modules, the Battery Management Unit (BMU), a breaker and other components.



Conakry battery energy storage

Conakry battery storage West Africa is progressing towards carbon neutrality, driven by a range of renewable energy projects, climate initiatives and carbon credit systems.

Conakry Intelligent Energy Storage Cabinet Equipment

Discover our high-efficiency, modular battery systems with zero capacity loss and rapid multi-cabinet response. Ideal for industrial, commercial, and emergency applications, our solutions



CONAKRY BATTERY ENERGY STORAGE SYSTEM DESIGN

Major projects now deploy clusters of 20+ containers creating storage farms with 100+MWh capacity at costs below



\$280/kWh. Technological advancements are dramatically improving solar storage

...

Contact Us

For catalog requests, pricing, or partnerships, please visit:
<https://peregrine-energy.co.za>

