

## PEES Power Systems

# Brazzaville produces solar module glass



## Brazzaville produces solar module glass

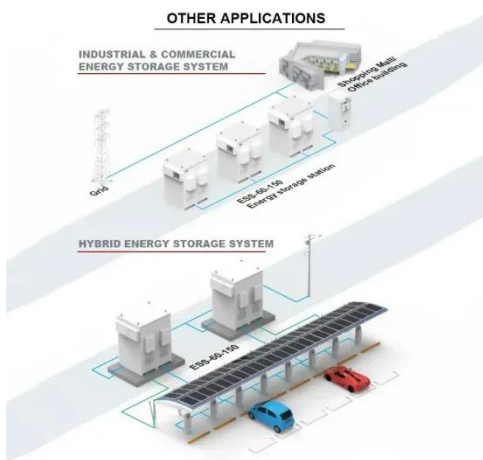


### Photovoltaic glass company exporting in Brazzaville

Low Iron Patterned Solar Glass is produced by TG Fujian Photovoltaic Glass Co., Ltd, Which can be used as the cover glass of solar module and has the merits of low iron, high transmittance, small ...

## Love intensely

Welcome to the page with the answer to the clue Love intensely. This is just one of the 7 puzzles found on this level. You can make another search to find the answers to the other puzzles, or just go to the ...



## Experiencing

This is just one of the 7 puzzles found on today's bonus puzzles. You can make another search to find the answers to the other puzzles, or just go to the homepage of 7 Little Words daily Bonus puzzles ...

## Brazzaville Double-Glass Photovoltaic Module Production Base A ...

The Brazzaville double-glass photovoltaic module production base represents more than manufacturing - it's a blueprint for sustainable industrialization. With its focus on durable technology and strategic ...



## Brazzaville Photovoltaic Power Plant: Key Insights for Generator

GLASHAUS POWER - As renewable energy investments surge across Africa, the Brazzaville Photovoltaic Power Plant project stands as a beacon of sustainable development.

## Brazzaville Photovoltaic Glass Processing Factory Powering ...

SunContainer Innovations - In the heart of Africa's green energy revolution, the Brazzaville Photovoltaic Glass Processing Factory stands as a beacon of innovation. This article explores how advanced ...



## Yamoussoukro Glass Photovoltaic Modules:

## Powering West Africa's ...

As demand for renewable energy surges across West Africa, Yamoussoukro emerges as a strategic hub for solar innovation. This article explores how advanced glass photovoltaic modules address regional ...



## Solar PV Analysis of Brazzaville, Congo Republic

If you can adjust the tilt angle of your solar PV panels, please refer to the seasonal tilt angles below for optimal solar energy production in Brazzaville, Congo Republic.



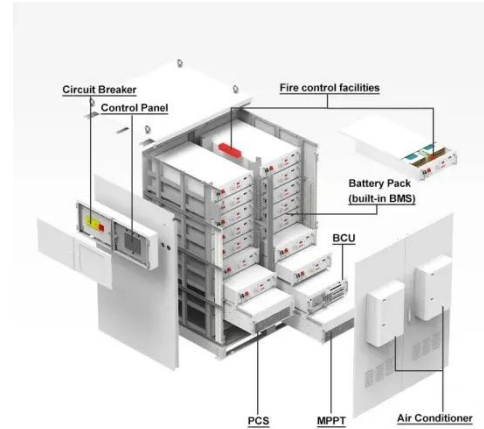
## Used sparingly

Welcome to the page with the answer to the clue Used sparingly. This is just one of the 7 puzzles found on this level. You can make another search to find the answers to the other puzzles, or just go to the ...

## Guide to Congo's Special Economic Zones for Solar Manufacturing

This guide outlines the structure of Congo-Brazzaville's ZES framework,

detailing the fiscal and customs incentives that can significantly lower the investment and operational costs for a ...



## Brazzaville 8GW solar module project

The Brazzaville double-glass photovoltaic module production base represents more than manufacturing - it's a blueprint for sustainable industrialization. With its focus on durable

## Brazzaville Translucent Glass solar Sun Room

Buildings such as corporate offices, hotels, skyscrapers, airports, railway stations, government buildings, museums, and even historic buildings can benefit from our photovoltaic glass solutions.



## Solar panel glass manufacturer

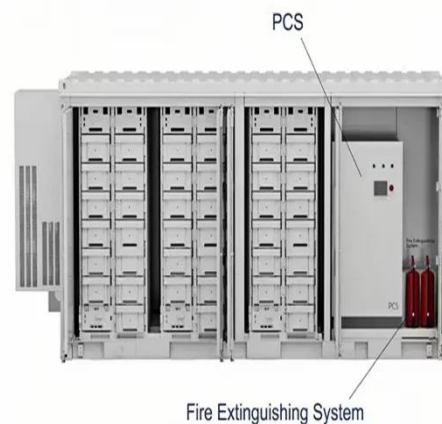
With a production site located strategically in North Africa and the



ability to serve the largest players in the solar sector; our mission is to accelerate access to clean and sustainable energy through high ...

## Many--legged insect

Welcome to the page with the answer to the clue Many--legged insect.



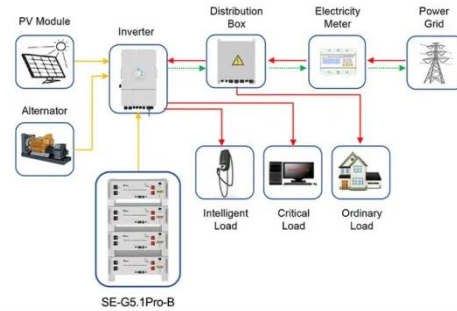
## City on the Congo River 7 Little Words bonus

City on the Congo River 7 Little Words Answer: Brazzaville Now just rearrange the chunks of letters to form the word Brazzaville.

## Cajun crayfish dish 8 letters - 7 Little Words

From Brazzaville 7 little words Jumped into a pool 7 little words Stranger 7 little words Get a D or better on 7 little words

Turkey garnish 7 little words Run off with russets, say 7 little words ...



Application scenarios of energy storage battery products



## Vessel builder

Welcome to the page with the answer to the clue Vessel builder. This is just one of the 7 puzzles found on this level. You can make another search to find the answers to the other puzzles, or just go to the ...

## Surprised cry

In just a few seconds you will find the answer to the clue " Surprised cry " of the " 7 little words game ".

	
<p>GEL Battery</p>	<p>Lithium Battery</p>
	
<p>Container storage system</p>	<p>Power Battery</p>

## Contact Us

For catalog requests, pricing, or partnerships, please visit:  
<https://peregrine-energy.co.za>

