

PEES Power Systems

Are flow batteries better than lithium batteries



Are flow batteries better than lithium batteries

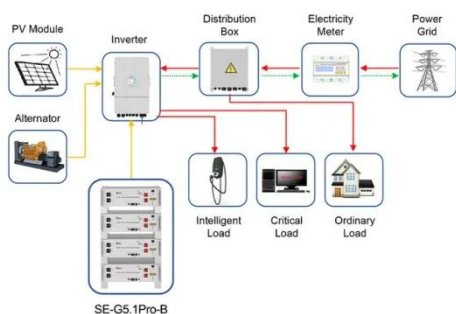


Comparing Flow Battery Vs Lithium-Ion Battery - The Next-Gen ...

The comparison between flow battery vs lithium-ion battery is becoming increasingly relevant as renewable energy develops and the use of electric vehicles increases.

Flow Batteries vs. Lithium Batteries: Which is Better for Grid ...

Lithium batteries, on the other hand, are limited by the size of the individual battery cells, which can make them less suitable for grid-scale applications. Ultimately, the choice between flow batteries and ...



Application scenarios of energy storage battery products

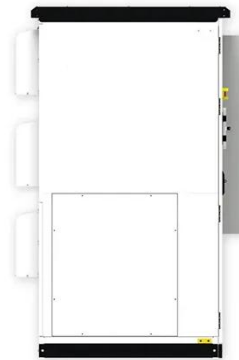
Lithium-Ion vs Flow Batteries: Which Is Better for Commercial ...

The initial costs for lithium-ion batteries often fall lower than those of flow batteries, making them attractive for immediate deployments. However, total ownership cost analysis reveals nuances--while lithium ...

Lithium-Ion vs Flow Batteries: Which is Better for Grid-Scale

...

Lithium-ion batteries excel in high-density, cost-sensitive projects where space and immediate efficiency are critical. Flow batteries, with their scalability, long cycle life, and potential environmental ...



Support Customized Product



How Do Flow Batteries Compare to Lithium-Ion for Grid Storage?

Flow batteries excel in long-duration energy storage, scalability, and lifespan (20-30 years), making them ideal for grid-scale applications. Lithium-ion batteries offer higher energy density and faster response times but ...

7 Key Differences Between Flow Batteries and Lithium Ion Batteries

Li-ion remains the go-to for compact, high-efficiency storage, while flow batteries offer unmatched longevity and scalability for grid-scale projects. Understanding the key differences between flow batteries and ...



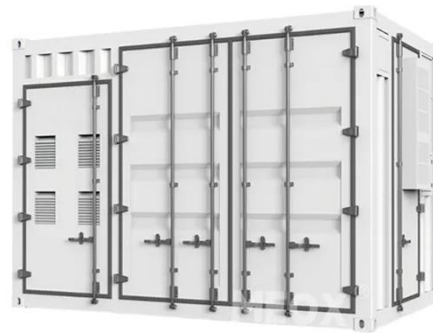


Flow Batteries vs Lithium-Ion 2026: Which Technology Wins for ...

Compare flow batteries and lithium-ion for grid storage in 2026: cost, cycle life, efficiency, and the best applications for each technology.

Comparing Lithium-ion and Flow Batteries for Solar Energy Storage

Lithium-ion and flow batteries are two prominent technologies used for solar energy storage, each with distinct characteristics and applications. Lithium-ion batteries are known for their high energy density, ...



Lithium-Ion Batteries vs Flow Batteries: Which One Fits Your ...

...

The comparison between lithium-ion batteries vs flow batteries occurs because both batteries are used for energy storage systems. However, these two batteries have different characteristics, ways of ...

Comparative Analysis: Flow

Battery vs Lithium Ion

Flow and lithium-ion batteries are promising energy storage solutions with unique characteristics, advantages, and limitations.



Contact Us

For catalog requests, pricing, or partnerships, please visit:
<https://peregrine-energy.co.za>

