

PEES Power Systems

2MW Lithium Battery Energy Storage Cabinet for Field Operations



2MW Lithium Battery Energy Storage Cabinet for Field Operations



Industrial-Grade Lithium Ion Battery Storage Cabinets: Advanced ...

Discover our state-of-the-art lithium ion battery storage cabinets featuring advanced safety systems, intelligent battery management, and modular design for optimal energy storage solutions in industrial ...

2MW Lithium ion BESS Container

2MW battery energy storage system is modular designed, and can be quickly installed. The BESS container can provide you with stable and reliable energy in the long run.



2MW Energy Storage Solutions: Powering the Future with Scalable Tech

Here's the kicker: A 2MW system today isn't just about energy storage. It's becoming the Swiss Army knife of power management - voltage support, black start capability, frequency regulation.

Brovolt Deploys 2MW/4MWh Energy Storage System

The system consists of 20 clusters of 215kWh energy storage batteries in parallel, with a total capacity of 4.3MWh, and is equipped with an independent electrical cabinet. The system adopts a highly ...



215KWh-2MWh Container Battery Energy Storage System BESS

The 215kWh-2MWh Container Energy Storage System and industrial and commercial energy storage battery cabinets are high-capacity, scalable Battery Energy Storage Systems (BESS) designed to ...

SRC-2000 , Advanced Megawatt Battery Storage Solution

Modular design with up to 2MW in 200kWh increments. Discover the SRC-2000, an advanced battery storage solution with up to 2000 kWh. Ideal for energy optimization and critical infrastructure support.



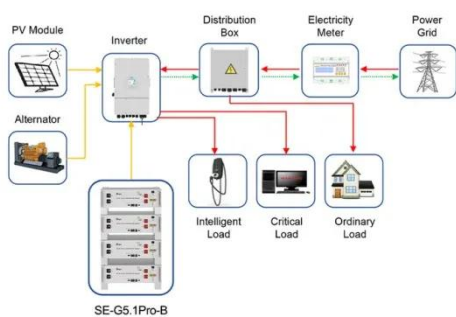
BESS: Battery Energy Storage System , Generac Industrial Energy



Start with expert collaboration. Our team has been delivering successful onsite energy solutions for over 65 years. Let's work together to build a BESS that meets your unique needs.

Lithium-Ion Battery Storage Cabinet

Designed to exceed IFC24 fire-containment standards, it enables secure storage of bulk, damaged, or prototype batteries without the need for a separate fire-rated room. Lightweight, mobile, and field ...



Application scenarios of energy storage battery products

2MWH Containerized Solar Battery Storage System

They integrate lithium batteries, PCS, transformer, air conditioning system, and fire protection system within a single container, offering a comprehensive plug-and-play solution for large-scale power ...

Vertiv(TM) EnergyCore, Lithium Ion Battery Cabinet

Built with lithium-ion batteries, it offers longer performance and more cycles than VRLA batteries. With a fully loaded cabinet shipped to your location and no onsite wiring needed, it saves on deployment ...



Contact Us

For catalog requests, pricing, or partnerships, please visit:
<https://peregrine-energy.co.za>

