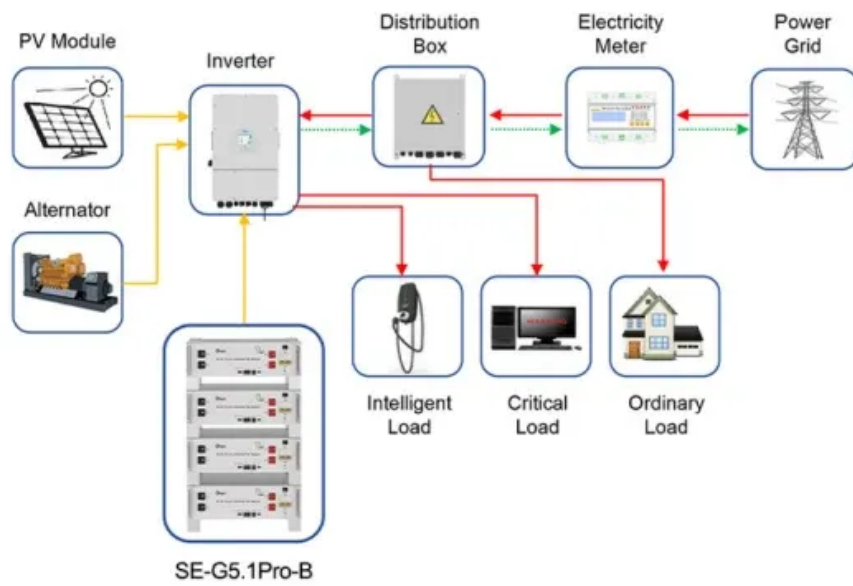


PEES Power Systems

24v car inverter



Application scenarios of energy storage battery products



24v car inverter



Amazon : 24v Power Inverter

LVYUAN 5000 Watt Power Inverter 24V to 110V 120V for Vehicle, Solar Inverter System, Heavy Duty, RV, Truck, Off Grid,Camping with 4 AC Outlets, LCD Display, Wireless Remote Control, Car Power ...

24V 4500W Inverter , Hybrid, MPPT

What are the advantages of 24Volt 4500W Hybrid MPPT Inverter? Efficiency: Up to 98% of the maximum solar charging efficiency for most of the energy to be utilised from your PV system.



VEVOR Power Inverter, 2500W Modified Sine Wave Inverter, DC 24V ...

This modified sine wave inverter is ideal for a gift, cell phone, laptop, electric light, digital camera, breast pump, TV, electrical tools, microwaves, etc. Much more convenient for being used as a car and ...

Power Inverters 24 Volt

2500W 5000W Peak Pure Sine Wave Power Inverter 24V DC to 110V AC Converter, 60Hz/50Hz, 4 AC Outlets + USB, LED Display, Remote Control for Car, RV, Camping & Home Backup



Pure Sine Wave Power Inverter 3000-Watt Car Inverter ...

In this 24-Volt DC pure sine wave power inverter, the ...

Amazon : 24v Inverter

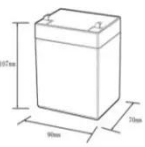

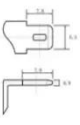
24V 2000W Pure Sine Wave Power Inverter 24V DC to 120V AC Converter for Car, Truck, Home, Vehicles, Boat, Car Power Converter with 2 AC Outlets, USB Ports, LCD Display



Solar Energy Equipment Manufacturer

The Sunplus Hybrid Storage Inverters are designed to increase energy independence for homeowners and

12.8V6Ah

Nominal voltage (V):12.8
 Nominal capacity (ah):6
 Rated energy (WH):76.8
 Maximum charging voltage (V):14.6
 Maximum charging current (a):6
 Floating charge voltage (V):13.6-13.8
 Maximum continuous discharge current (a):10
 Maximum peak discharge current @10 seconds (a):20
 Maximum load power (W):100
 Discharge cut-off voltage (V):10.8
 Charging temperature (°C):0-+50
 Discharge temperature (°C):-20-+60
 Working humidity: <95% R.H (non condensing)
 Number of cycles (25 °C, 0.5C, 100%doD): >2000
 Cell combination mode: 32700-4s1p
 Terminal specification: T2 (6.3mm)
 Protection grade: IP65
 Overall dimension (mm):50*70*107mm
 Reference weight (kg):0.7
 Certification: un38.3/msds

commercial users. The Hybrid Inverter power range is from 3kW to 60kW, compatible with low ...

200W Car Power Inverter DC 12V/24V to AC ...

Buy 200W Car Power Inverter DC 12V/24V to AC 110V/220V Converter with 4 USB Fast Charging Ports at Walmart



- IP65/IP55 OUTDOOR CABINET
- OUTDOOR CABINET WITH AIR CONDITIONER
- OUTDOOR ENERGY STORAGE CABINET
- 19 INCH

Pure Sine Wave Power Inverter 3000-Watt Car Inverter DC 24-Volt to ...

In this 24-Volt DC pure sine wave power inverter, the 120-Volt AC output harmonically follows a smooth sine wave and is almost identical to normal mains electricity. Therefore, it allows you to power up ...

24v Inverter, 24v DC to 120v/240v AC Power Inverter , inverter

24V 600w inverter with peak power 1200w, which is a modified sine wave, converts your car battery power to AC power 110/120 Volt or 220/230/240 Volt for options, with a safe charging design to give ...



24 Volt Inverters

Find products that fit your vehicle. Shop for 24 Volt Inverters at Best Buy. Find low everyday prices and buy online for delivery or in-store pick-up.

Contact Us

For catalog requests, pricing, or partnerships, please visit:
<https://peregrine-energy.co.za>

